

A

B

C

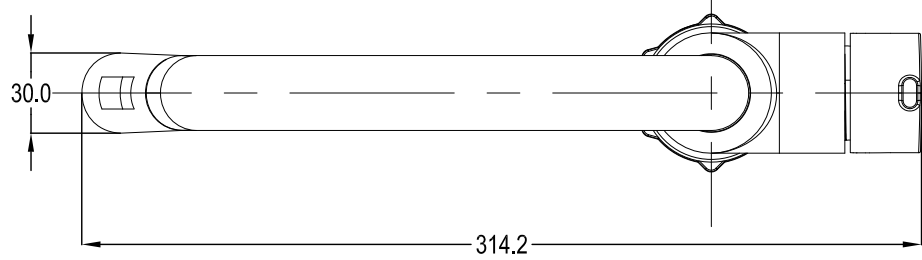
D

E

REV.	DATE	DESCRIPTION	BY	CHK.

1

1



2

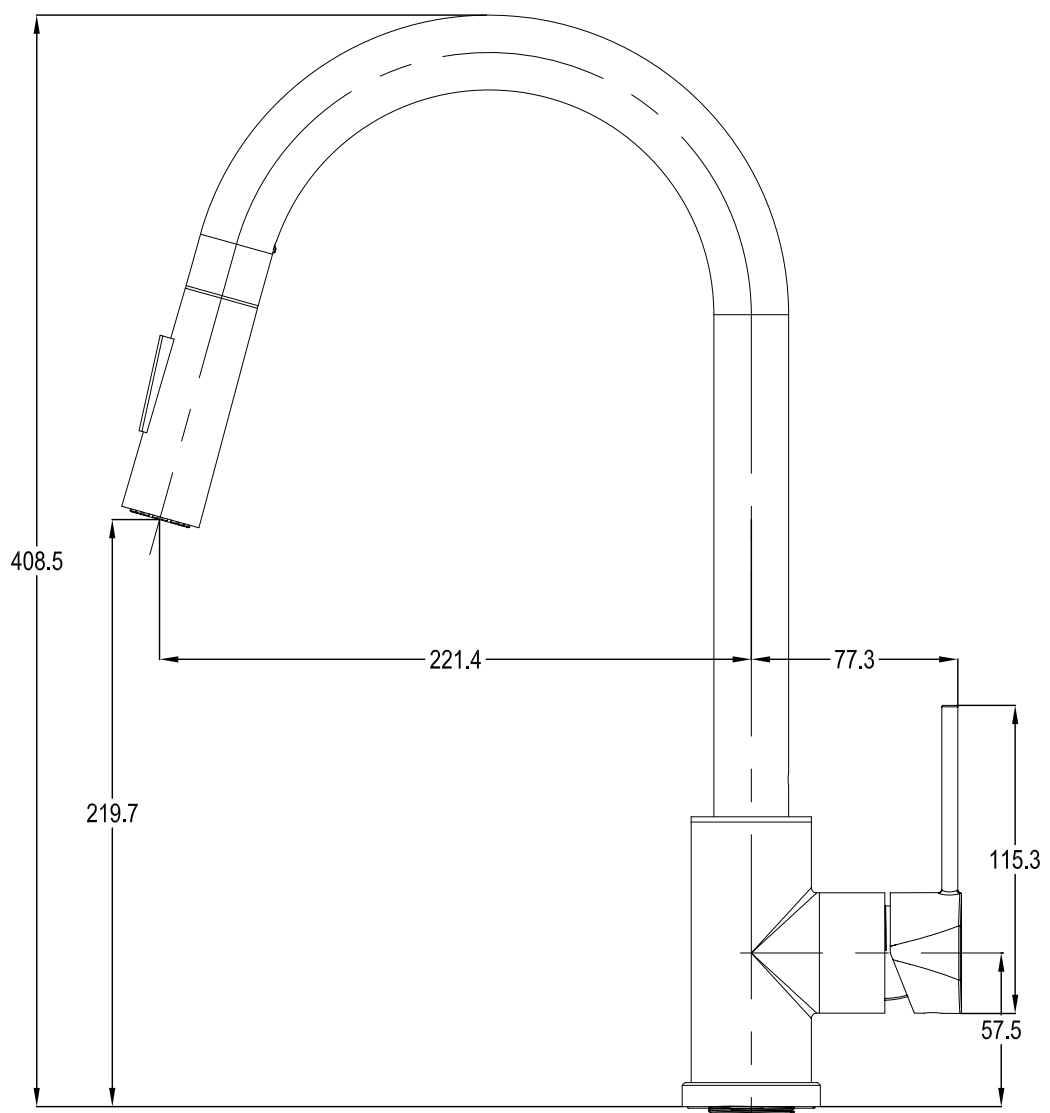
2

3

3

4

4



5

5

6

6

7

7

8

8

