

A

B

C

D

E

rev.	date	des/Dr.	rev/Dr.	app.

1

1

2

2

3

3

4

4

5

5

6

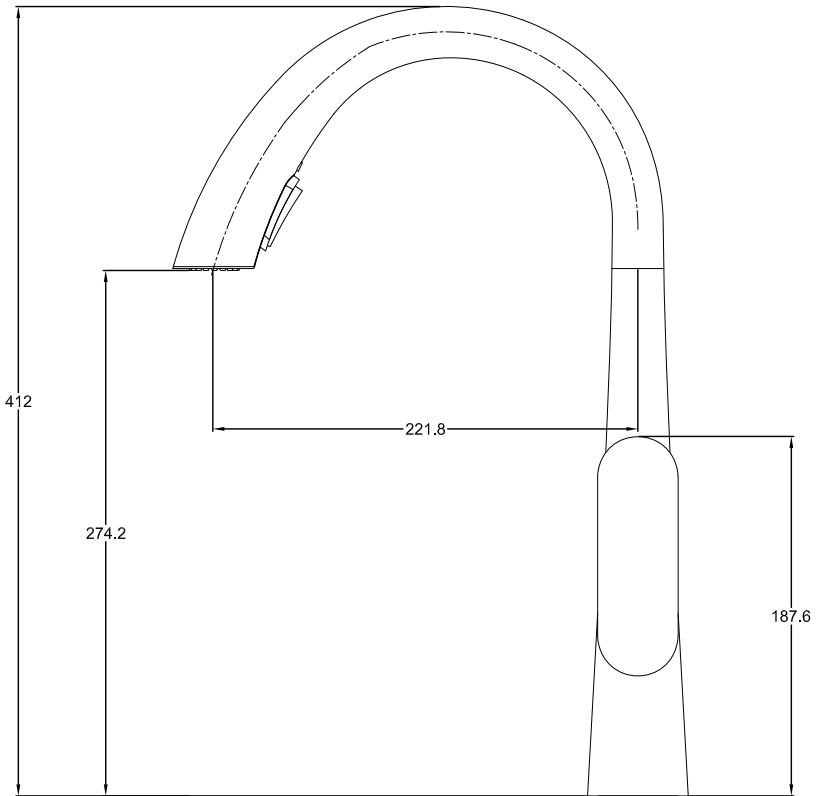
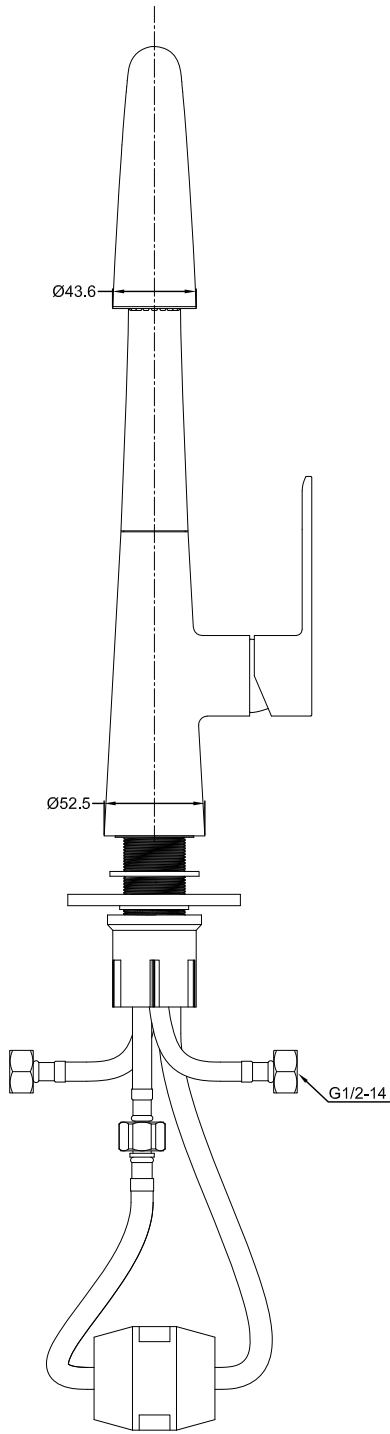
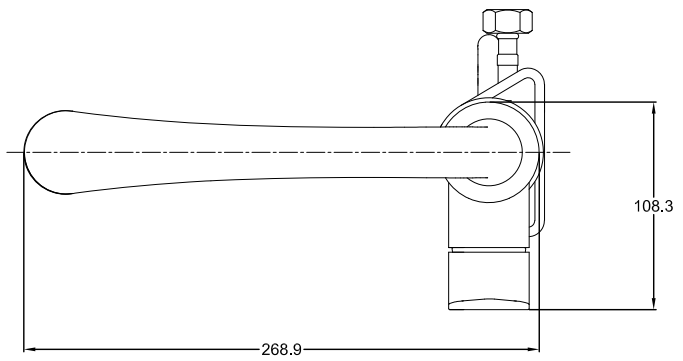
6

7

7

8

8



Dwg No.	Drawn	Approved	Reference	Date	Scale	Title
KSBC-200C	D.W.Hwang	S.H.Baek	-	2024.10.29	1:1	S/L Slnk

계림요업(주)

A1(841X594)

A

B

C

D

E