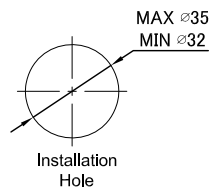
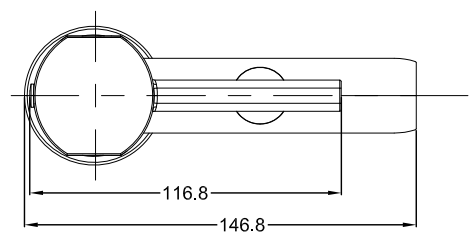
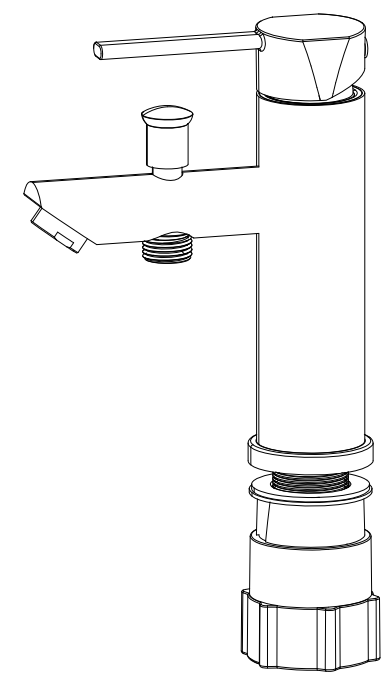
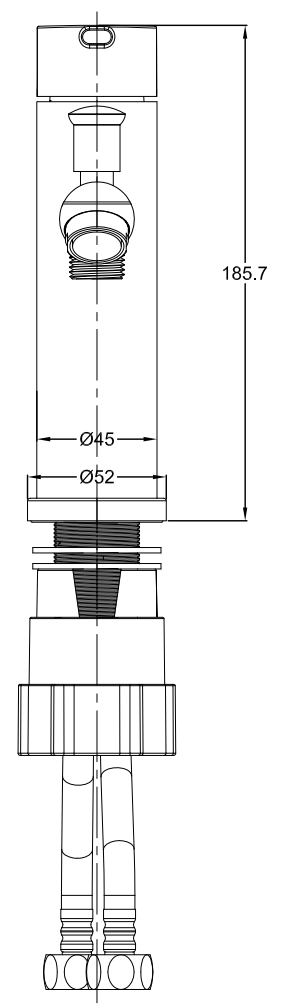
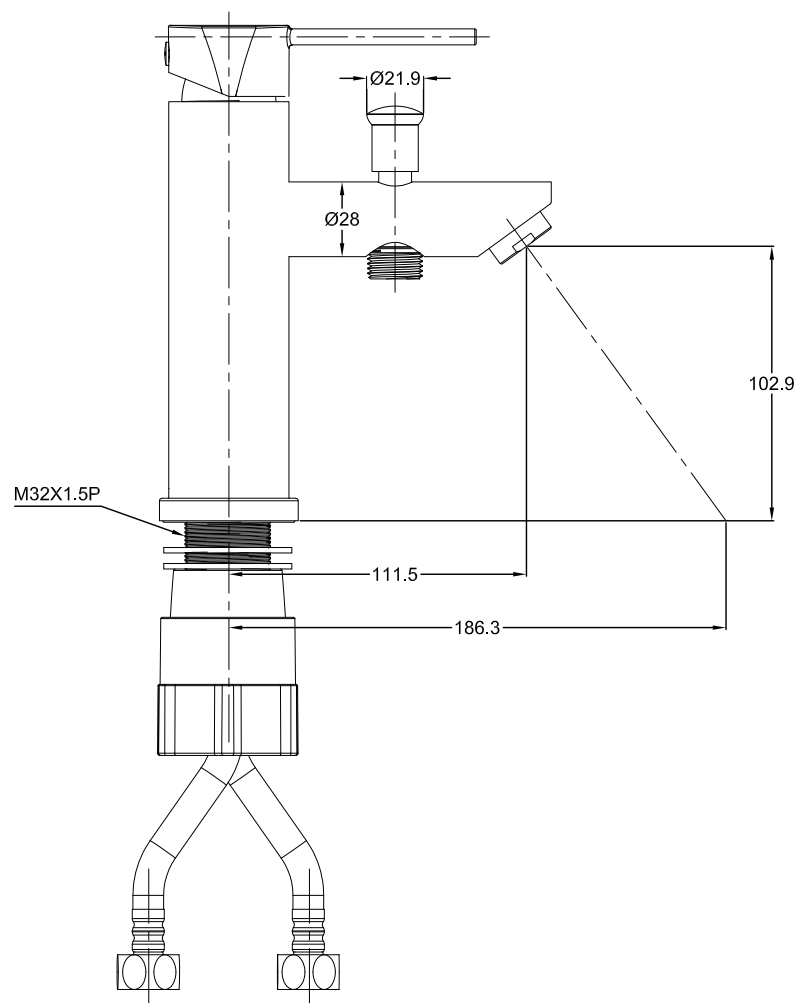


1 2 3 4 5 6 7 8

A



B



C

D

E

A

B

C

D

E

Dwg No.	Drawn	Check	Approved	Reference	Date	Scale	Title
KLH-1470ST	C.M.Park	D.W.Hwang	S.H.Baek	H-Series	2024.02.19	1:1	S/L 1Hole Lavatory

계림요업(주)

1 2 3 4 5 6 7 8