

A

B

C

D

E

rev.	date	details	rev. by	rev.

1

1

2

2

3

3

4

4

5

5

6

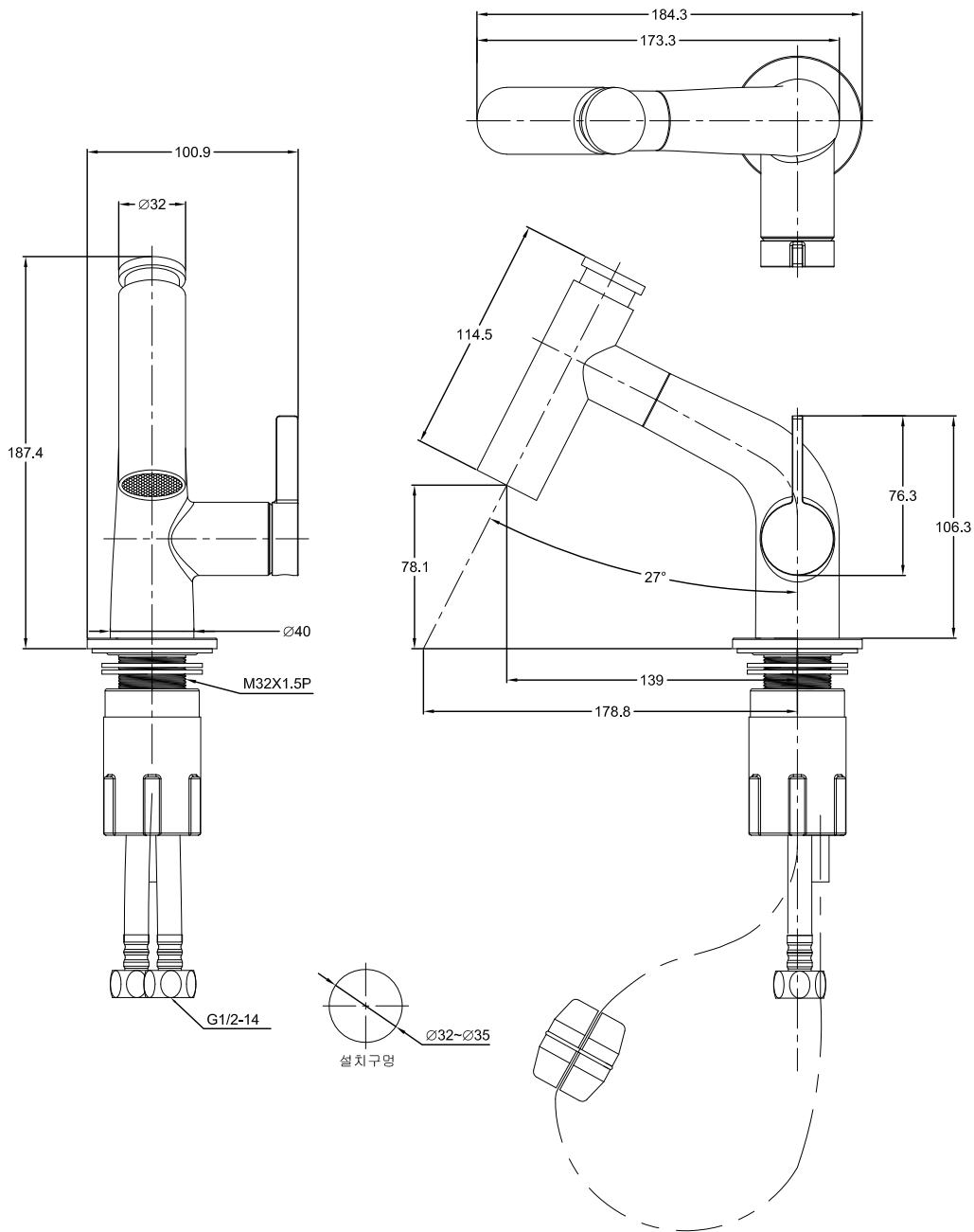
6

7

7

8

8



Dwg No.	Drawn	Approved	Reference	Date	Scale	Title
KL-1500ST	D.W.Hwang	S.H.Baek	None - Series	2023.04.18	1:1	-

계림요업(주)

A1(841X594)

A

B

C

D

E